

PKX MA/A

Analogue Solenoid Dosing Pump

Compact Solenoid dosing pump with configurable foot or wall mount bracket

GENERAL FEATURES

- Manual flow rate adjustment from **0 – 100%**
- Flow rate up to 7 L/H
- Operating pressure up to 7 bar
- Max stroke rate: 120 impulses/min
- Manual air bleed pump head
- Level probe input PKX MA/AL model only
- IP65 protection degree
- Wall or foot mounting plastic bracket (included)
- STD Power Supply: 230 Vac 50-60 Hz
- Optional power supply: 120 Vac 50-60 Hz / 12Vdc / 24Vac-Vdc
- Flashing LED under working conditions
- PP reinforced housing
- PP pump head with Lip valves
- Pump head options include PVDF with ceramic balls; Auto-bleed
- PE diaphragm
- Available with removable power cable
- Extra silent version available upon request
- Supplied with PP complete Installation Kit



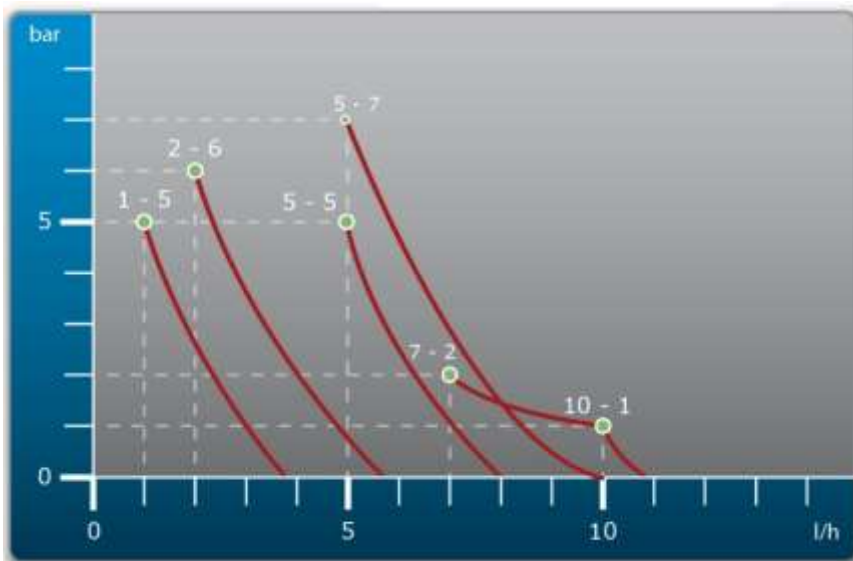
PVDF-FPM Standard Kit

ALL DLX are supplied with a standard **PVDF-FPM installation kit**, made up of 2m discharge PE tube (4x6mm), 2m suction + 2m bleeding PVC crystal tube (4x6mm), PVDF foot-filter, PVDF injection valve. Other configurations are available upon request.

Technical Features

Model	Flow Rate l/h (US GI/h)	Max Pressur e Bar - PSI	Injection Volume (cc per stroke)	Max frequency (imp./min)	Connections Int/Ext	Standard Power Supply (Volts -Hz)
0105	1 (0.26)	5 - 72	0.14	120	4x6	230V - 50-60 Hz
0206	2 (0.53)	6 - 87	0.28	120	4x6	230V - 50-60 Hz
0505	5 (1.32)	5 - 72	0.69	120	4x6	230V - 50-60 Hz
0507	5 (1.32)	7 - 101	0.69	120	4x6	
0702	7 (1.84) 10 (2.64)	2 - 29 1 - 14	0.97	120	4x6	230V - 50-60 Hz

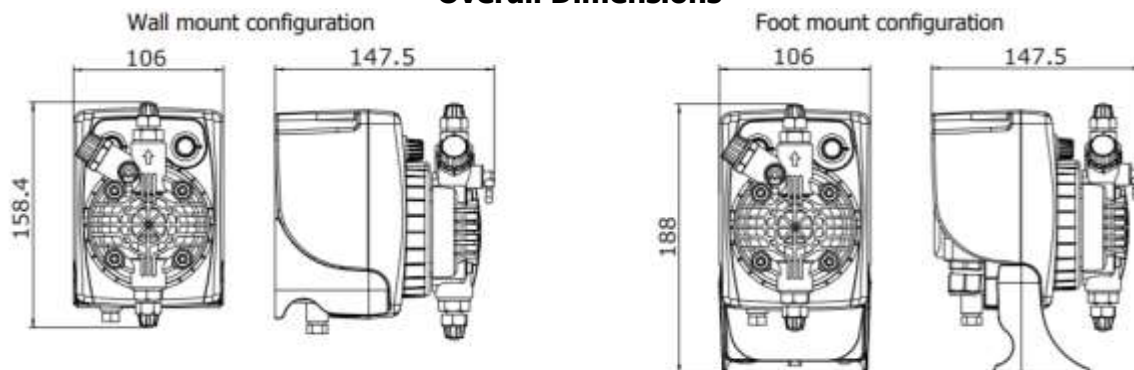
Pressure (bar) – Flow Rate (l/h) Chart



Codes

PKX MA/A	Version
PKX0102801	0105
PKX0128901	0206
PKX0103901	0505
PKX0103801	0507
PKX0104001	0702

Overall Dimensions



ALL DIMENSIONS ARE IN MM